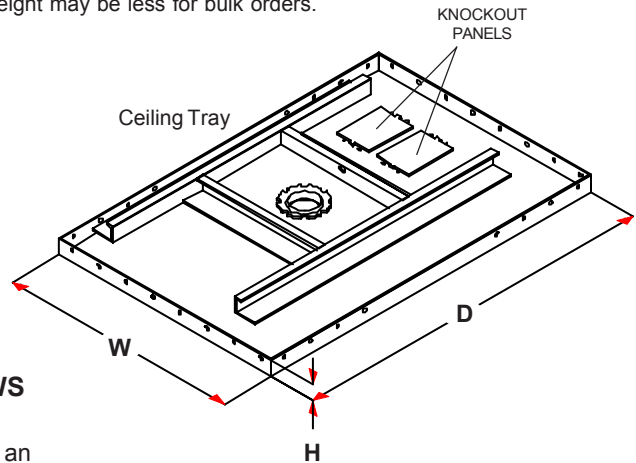
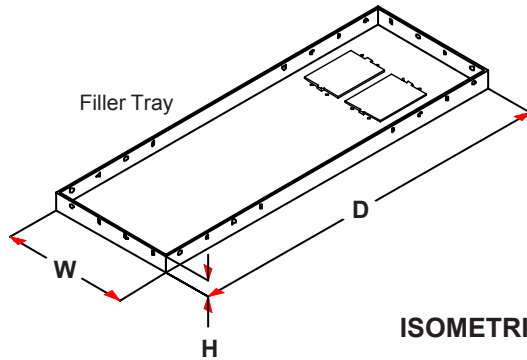


| Two Piece Suspended Ceiling Tray for Jumbo Mounts | | | Dimensions | Width | Depth | Height |
|---|-------------------------|-----------------------|--------------|--------------------|-----------------|---------------|
| Weight | *Shipping Weight | **Maximum Load | Ceiling Tray | 15.75" (400 mm) | 24" (610 mm) | 1" (25 mm) |
| 19.5 lb (8.9 kg) | 21.4 lb (9.7 kg) | 250 lb (114 kg) | Filler Tray | 8" (203 mm) | 24" (610 mm) | 1" (25 mm) |

*Shipping weight based on single unit shipment. Per unit shipping weight may be less for bulk orders.

**Combined weight of all attached hardware and components.

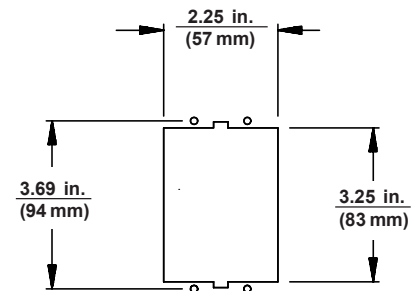


ISOMETRIC VIEWS

The Suspended Ceiling Plate for Jumbo Mounts consists of an 8"(203mm) x 24"(610mm) filler tray and a 15.75"(400mm) x 24"(610mm) ceiling tray suspended by four tie wires from the true ceiling above. A fifth "safety cable" is also provided. Turnbuckles allow the installation to be "fine tuned". The NPS threaded fitting in the ceiling tray serves as the point of attachment for a Peerless Jumbo TV Mount or other Peerless product specified as compatible with the Two Piece Suspended Ceiling Kit. Product may be attached directly or lowered with the addition of a Peerless NPS Extension Column available in several lengths. 20' (6.1m) of tie wire is provided (12 gauge annealed steel, soft, black) - enough for a 3' drop suspended ceiling. If the suspended ceiling is more than 3 feet from the true ceiling, the installer will need to obtain additional wire prior to installation.

Features:

- Three position mounting capabilities, (off center to left or right and centered)
- Knockout panels for electrical outlet boxes (Raco 445 or Appleton 383 recommended) and antenna leads
- Scratch-resistant white fused epoxy finish
- Safety Cable and Cable Clamp



Electrical Knockout

WARNING: Weight of TV or Monitor not to exceed maximum load capacity of 250 lb (114 kg)!



This product must be installed by a qualified, professional installer.

MAXIMUM LOAD CAPACITY: 250 lb (114 kg)

ARCHITECTS SPECIFICATIONS

The Two Piece Suspended Ceiling Plate shall be a Peerless model CMJ453 and shall be mounted where indicated on the plans. It shall contain a ceiling tray with a NPS center threaded fitting and two knockout panels for outlet boxes (Raco 445 or Appleton 383 recommended) and antenna leads. It shall also contain a filler tray. It shall feature a tie wire support system to transfer the load to four attachment points (in the true ceiling above) with turnbuckles to fine tune the level of the ceiling tray. A center safety cable shall also be provided. It shall be U.L. Listed. The finish shall be White Fused Epoxy. Assembly and installation shall be done according to instructions provided by the manufacturer.



Peerless Industries, Inc. 3215 W. North Ave. Melrose Park, IL 60160
708-865-8870 800-865-2112 Fax 708-865-2941 www.peerlessindustries.com

TECHNICAL DATA SHEET

Two Piece Suspended Ceiling Plate for Jumbo Mounts

Issued: 05-26-99 Sheet# 128-9520-3 09-03-09 page 1 of 1